

PRODUCT - GLOBE VALVE

FORGED STEEL GLOBE VALVE



Brief introduction :

Forged steel globe valves are available in three bonnet designs. The first design is the Bolted, with male-female joint, spiral wound gasket, made in F304L/graphite. Ring joint gasket are also available on request. The second design is the welded bonnet, with a threaded and seal welded joint. On request a full penetration strength welded joint is available. The third design is the pressure seal bonnet, with a threaded and pressure seal bonnet joint.

NO.	Part Name	CS to ASTM	AS to ASTM	SS to ASTM	
		Type A105	Type F22	Type F304(L)	Type F316(L)
1	Body	A105	A182 F22	A182 F304(L)	A182 F316(L)
2	Disc	A276 420	A276 304	A276 304(L)	A276 316(L)
3	Stem	A182 F6	A182 F304	A182 F304(L)	A182 F316(L)
4	Gasket	Corrugated SS+ graphite		SS+PTFE	
5	Bonnet Bolt	A105	A276 304	A276 F304(L)	A276 F316(L)
6	Bonnet Bolt	A193 B7	A193 B16	A193 B8	A193 B8M
7	Pin	A276 420		A276 304	
8	Gland	A276 410		A182 F304(L)	A182 F316(L)
9	Gland Eyebolt	A193 B7	A193 B16	A193 B8	A193 B8M
10	Gland Flange	A216 WCB		A351 CF8	
11	Gland Nut	A194 2H	A194 4	A194 8	A194 8M
12	Yoke Nut	A276 410			
13	H.W.Lock Nut	A194 2H	A194 4	A194 8	A194 8M
14	Nameplate	SS			
15	Handwheel	A197			
16	Stem Packing	Flexible			PTFE
	Suitable Medium	Water, oil, gas etc.,		Water, oil, gas etc.,	HNO ₃ , CH ₃ OOH etc
	Suitable Temperature	-29 °C ~ 425 °C		-29 °C ~ 550 °C	-29 °C ~ 180 °C

PRODUCT - GLOBE VALVE

FORGED STEEL GLOBE VALVE

Technical Specification

- ✘ Globe valves conform to API 602, and ASME B 16.34 ✘ each are tested according to API 598, and marking is per MSS SP-25
- ✘ Full Port or Conventional Port ✘ Outside Screw and Yoke (OS & Y) ✘ Two piece self-aligning packing gland ✘ Bolted bonnet with spiral wound gasket, threaded and seal welded bonnet or threaded and pressure seal bonnet
- ✘ Integral backseat ✘ Socket weld ends to ASME B16.11 ✘ Screwed Ends (NPT) to ANSI/ASME B1.20.1

Main external and connection dimension



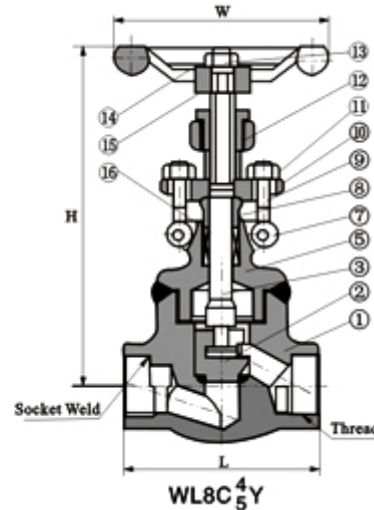
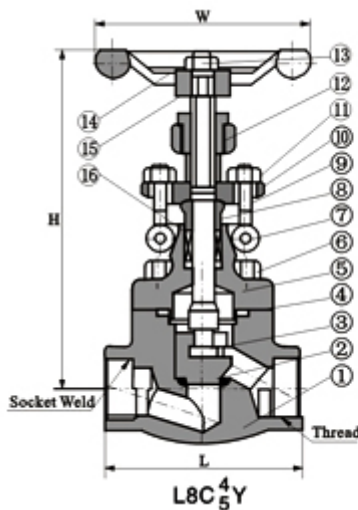
Bolted Bonnet



Welded Bonnet



Pressure Seal Bonnet





Office Address
 SAIF ZONE | PO Box 8047
 Sharjah, UAE.
 Skype: Unitech Trading (unitechtrading)
 Tel / Fax 00971-6-544-8882
 Email <mailto:info@unitechtrading.com>

PRODUCT - GLOBE VALVE

FORGED STEEL GLOBE VALVE

CLASS 800LB

NPS	Conv.	3/8"	1/2"	3/4"	1"	1 1/4"	1 1/2"	2"	
	Full		3/8"	1/2"	3/4"	1"	1 1/4"	1 1/2"	2"
L		79	79	92	111	120	152	172	200
H(OPEN)		166	166	171	207	240	258	330	355
W		100	100	100	125	160	160	180	200
Weight	Bolted	1.9	1.9	2.1	3.5	6.0	7.5	11.4	14.6
	Welded	1.7	1.7	1.9	3.3	5.2	6.8	10.6	13.8

CLASS 900LB~ 1500LB

NPS	Conv.	3/8"	1/2"	3/4"	1"	1 1/4"	1 1/2"	2"	
	Full		3/8"	1/2"	3/4"	1"	1 1/4"	1 1/2"	2"
L		92	111	111	120	152	172	200	220
H(OPEN)		171	207	207	240	258	330	355	370
W		100	125	125	160	160	180	200	240
Weight	Bolted	2.2	3.7	3.6	6.8	7.6	11.6	15.0	21.9
	Welded	2.0	3.4	3.3	6.0	5.6	10.3	14.2	18.0